

INSTALLATION INSTRUCTIONS

For

DIXON DBCL SERIES DRY DISCONNECT LEVER LATCH

Model Numbers

DBCL-200 Lever Latch for 1.5" & 2" Dry Disconnect Couplers
DBCL-300 Lever Latch for 3" Dry Disconnect Couplers

For Sales & Service Contact

Dixon Bayco

A DIXON COMPANY

USA:

Dixon Bayco USA
Chestertown, Maryland
Phone: 410-778-2000
Fax: 410-778-4702
Toll Free: 800-355-1991

CANADA:

Dixon Bayco Limited
Barrie, Ontario
Phone: 705-436-1125
Fax: 705-436-6251
Toll Free: 800-355-1991



The Right Connection™

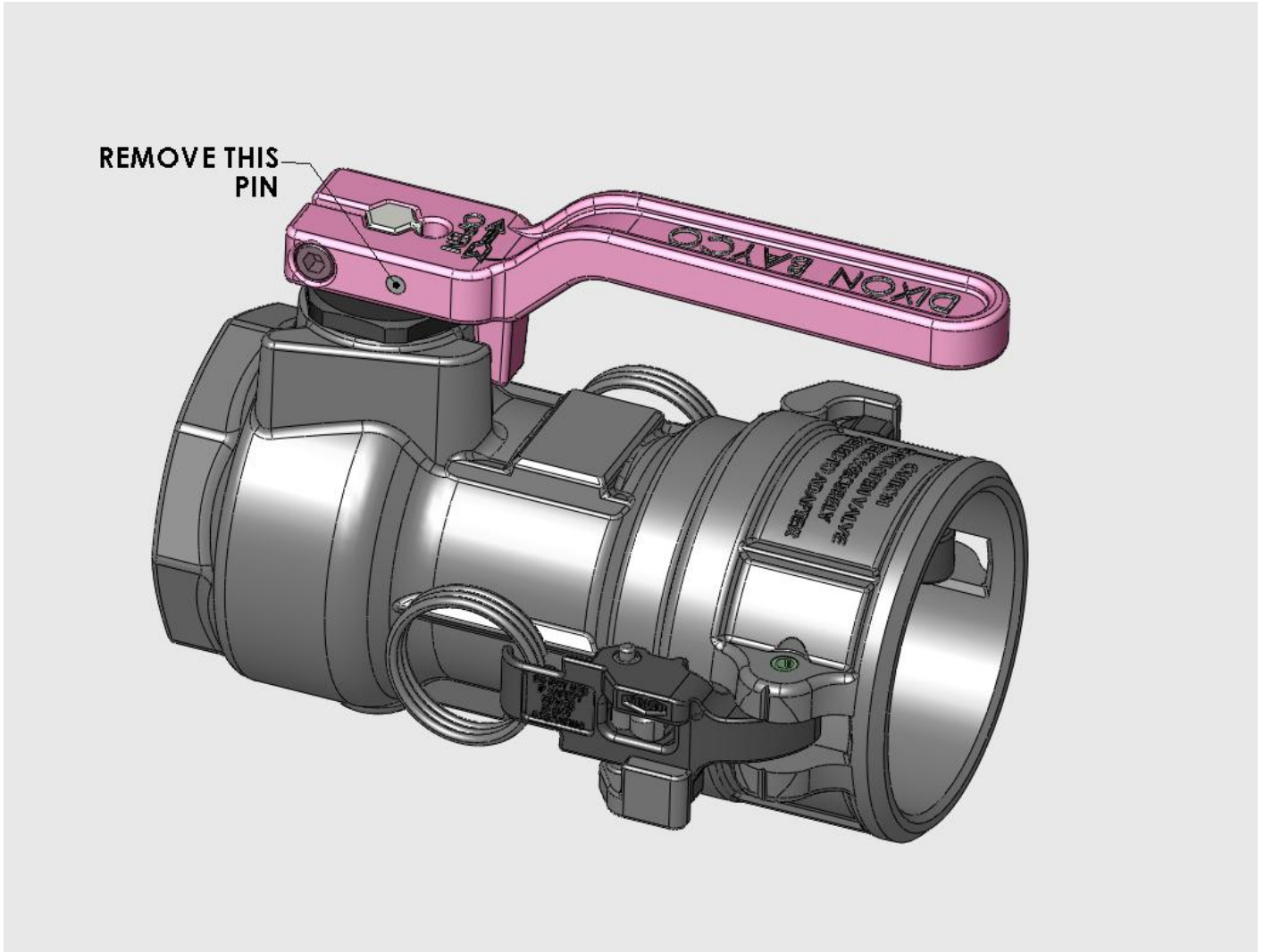


FIGURE 1

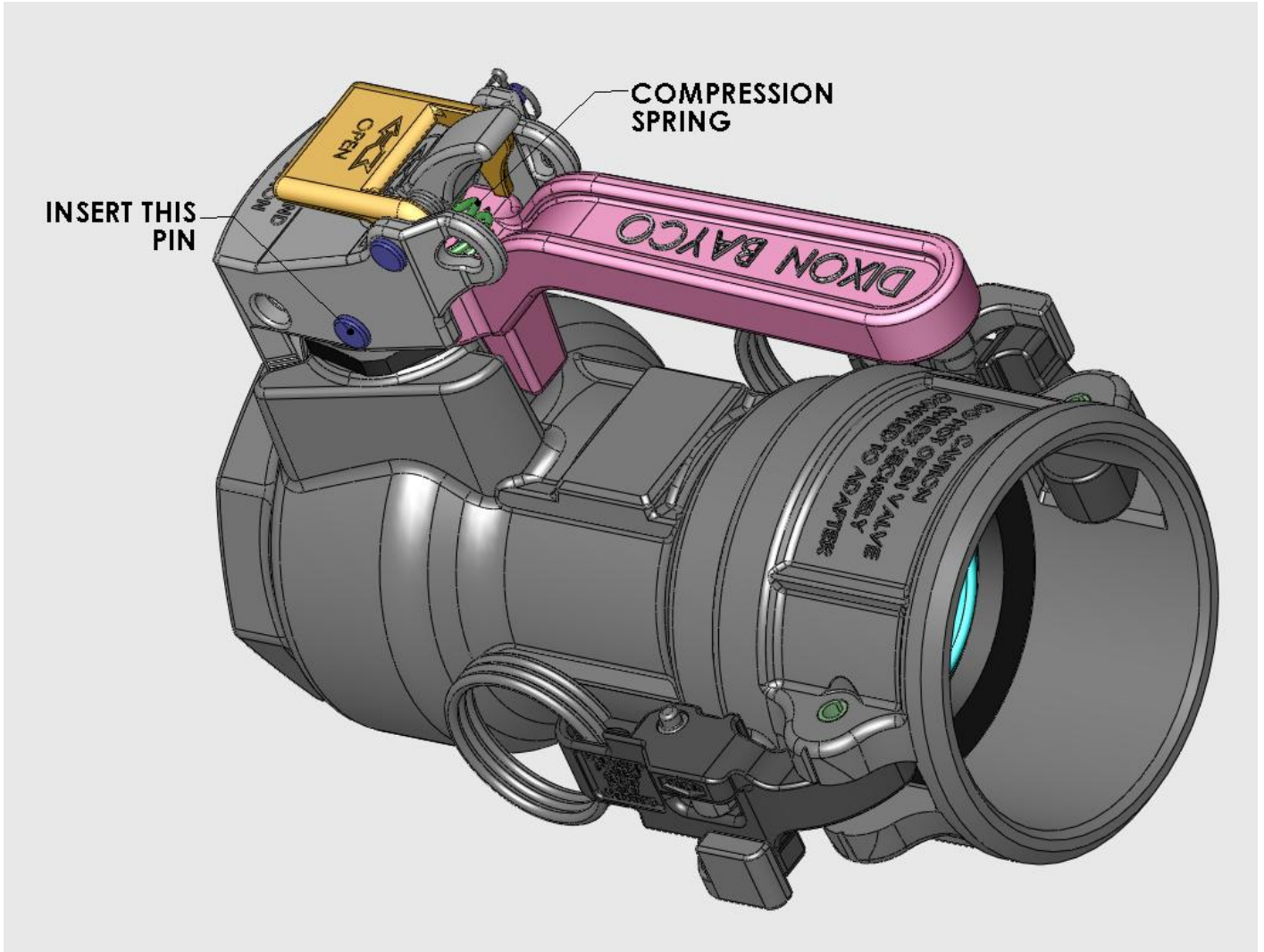


FIGURE 2

INSTALLATION INSTRUCTIONS:

WARNING: When assembling or disassembling these products, always wear safety glasses. Severe eye injury may result if not wearing safety glasses.

1. Remove the pin as indicated in figure 1 using a punch and hammer. This pin has 3 'barbs' on one end for retention. Be sure to strike the pin on the end that does not contain the 'barbs' or it will be far more difficult to remove the pin.
2. Insert the clevis pin contained in the kit through the hole in the lever where you just removed the 'barbed' pin. The pin should slide through freely without binding or excessive force. If it does not, follow steps a-c below.
 - a. Sometimes the clevis pin will not slide freely through the lever hole. This can be caused by metal burrs remaining in the hole or a slight curvature of the hole caused by the clamping action of the lever bolt.
 - b. If the clevis pin cannot be inserted through the hole in the lever, use a #12 (0.189") drill bit (or preferably a 3/16" reamer) and a hand drill to clean out the hole.
 - c. Run the reamer or drill through the hole until the clevis pin can be inserted freely.
3. Once the clevis pin has been verified to freely go through the hole in the lever, the latch assembly can be installed.
4. With the clevis pin removed from the hole in the lever, insert the compression spring in the pocket on the underside of the latch assembly.
5. Using you finger to hold the compression spring in place, place the latch assembly over the lever and push down on the latch assembly to compress the spring.
6. While compressing the spring, align the hole in the latch assembly with the hole in the lever and insert the clevis pin through the latch assembly and lever.
7. Verify that the latch assembly is free to move on the clevis pin
8. Secure the clevis pin with the cotter pin supplied.

The latch assembly is actuated by depressing the lock plate on the top and then rocking the latch assembly such that the legs clear the cast stops on the body.

DIXON BAYCO WARRANTY:

For Warranty Information, please refer to the inside back cover of the latest Dixon Catalog.