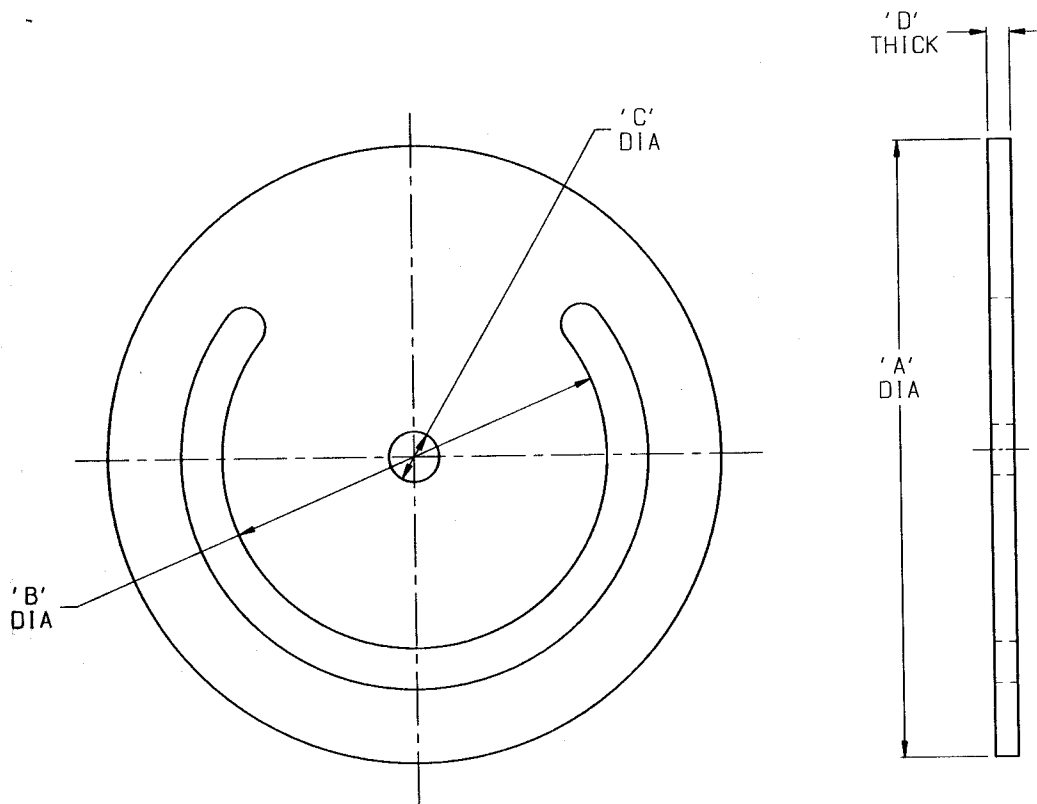


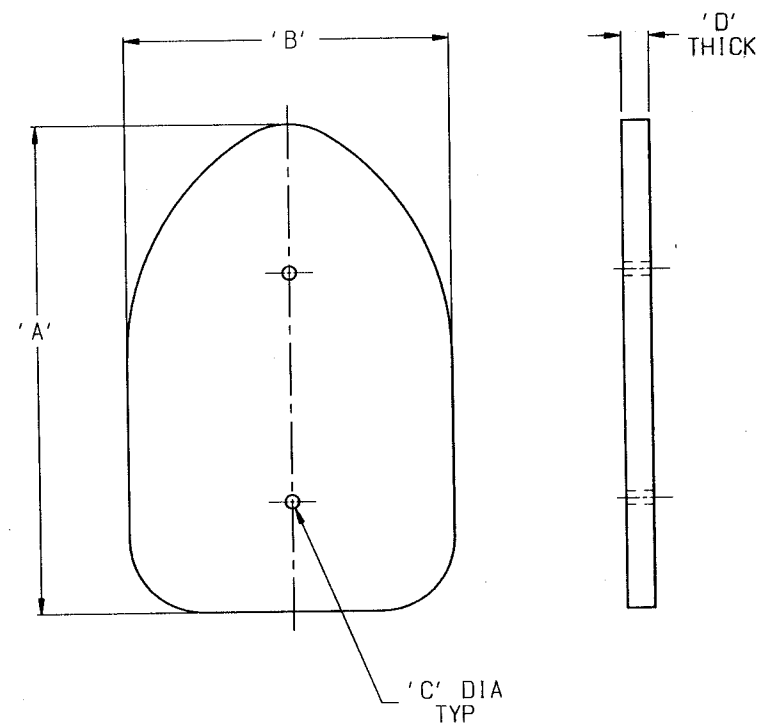
**FVL- 20 thru 120**

CUSTOMER DWG

SIZE	PART #	'A'	'B'	'C' DIA	'D' THICK
10"	FVL-100	13 1/4	8 3/4	9/32	3/16
12"	FVL-120	16 1/4	10	9/32	3/16



**FVL-20 thru 80**



**FVL-100 and FVL-120**

SIZE	PART #	'A' DIA	'B' DIA	'C' DIA	'D' THICK
1 1/2"	FVL-20	3 3/16	1 7/8	9/32	3/16
2"	FVL-25	4 3/16	2 5/8	11/32	5/32
2 1/2"	FVL-30	4 7/8	3 1/4	3/8	3/16
3"	FVL-35	5 11/16	3 3/4	11/32	3/16
4"	FVL-40	7	4 7/8	1/2	3/16
6"	FVL-60	10	7 1/2	1/2	1/4
8"	FVL-80	13	9 1/2	9/16	3/8



**AGREEMENT TO MAINTAIN CONFIDENTIALITY**  
 This drawing is owned by Dixon Valve & Coupling Co. and shall be returned upon demand. It is loaned on condition that it shall not be copied or reproduced or submitted to others without the owners consent. In accepting it subject to this condition the recipient further agrees that this drawing or any design detail or concept disclosed herein shall not be used in any way detrimental to or in competition with the Owner. If the recipient does not agree to the terms of this agreement, they shall return this drawing immediately.

CUSTOMER DWG

DIXON VALVE & COUPLING CO. U. S. A.		
TITLE 1" thru 12" - VALVE LEATHER for FOOT VALVES		
DRAWN BY: 03/17/98	CHECKED BY: JTB 3/17/98	APPROVAL: [Signature] 3.17.98
MAT'L LEATHER		FVL- 20 thru 120