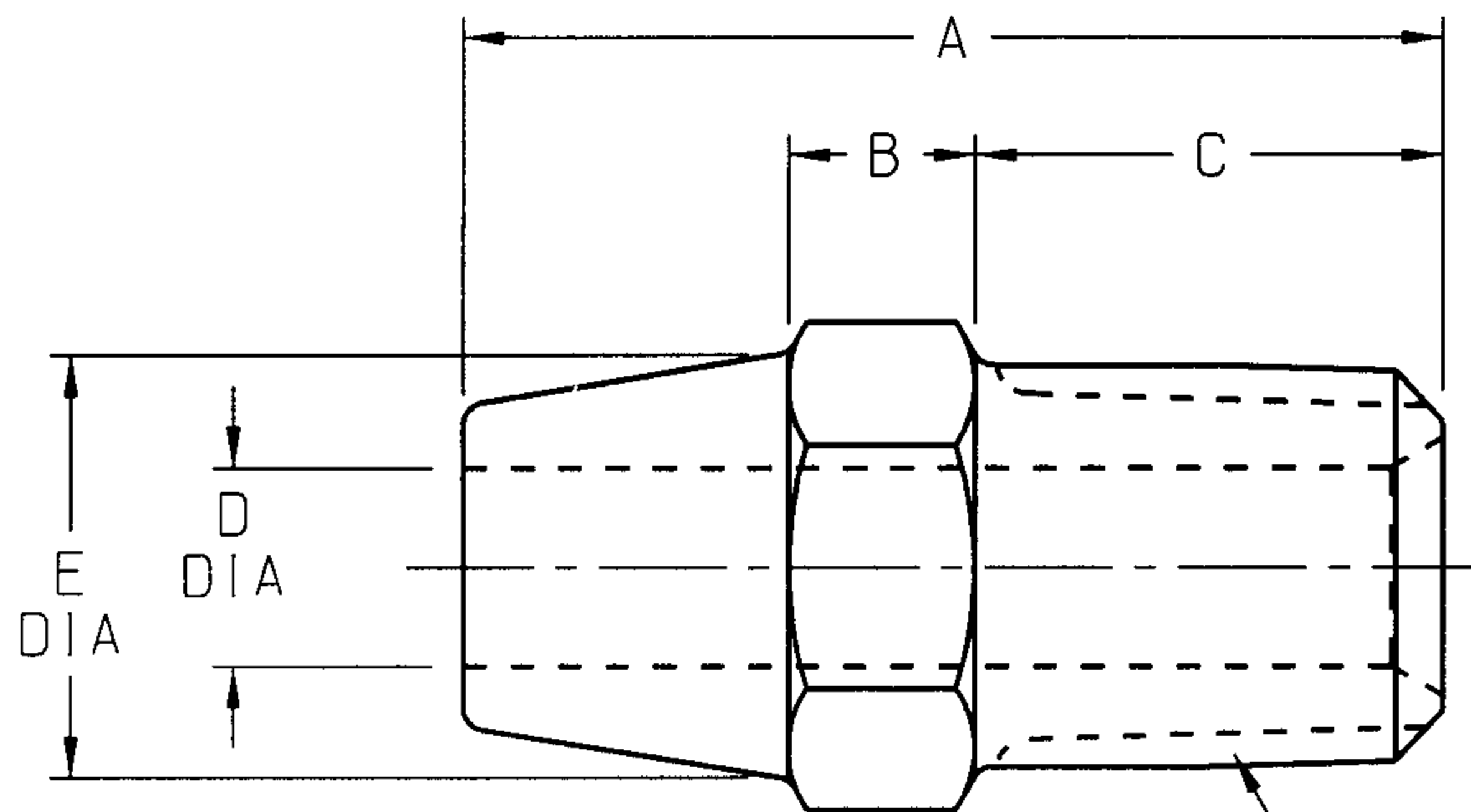
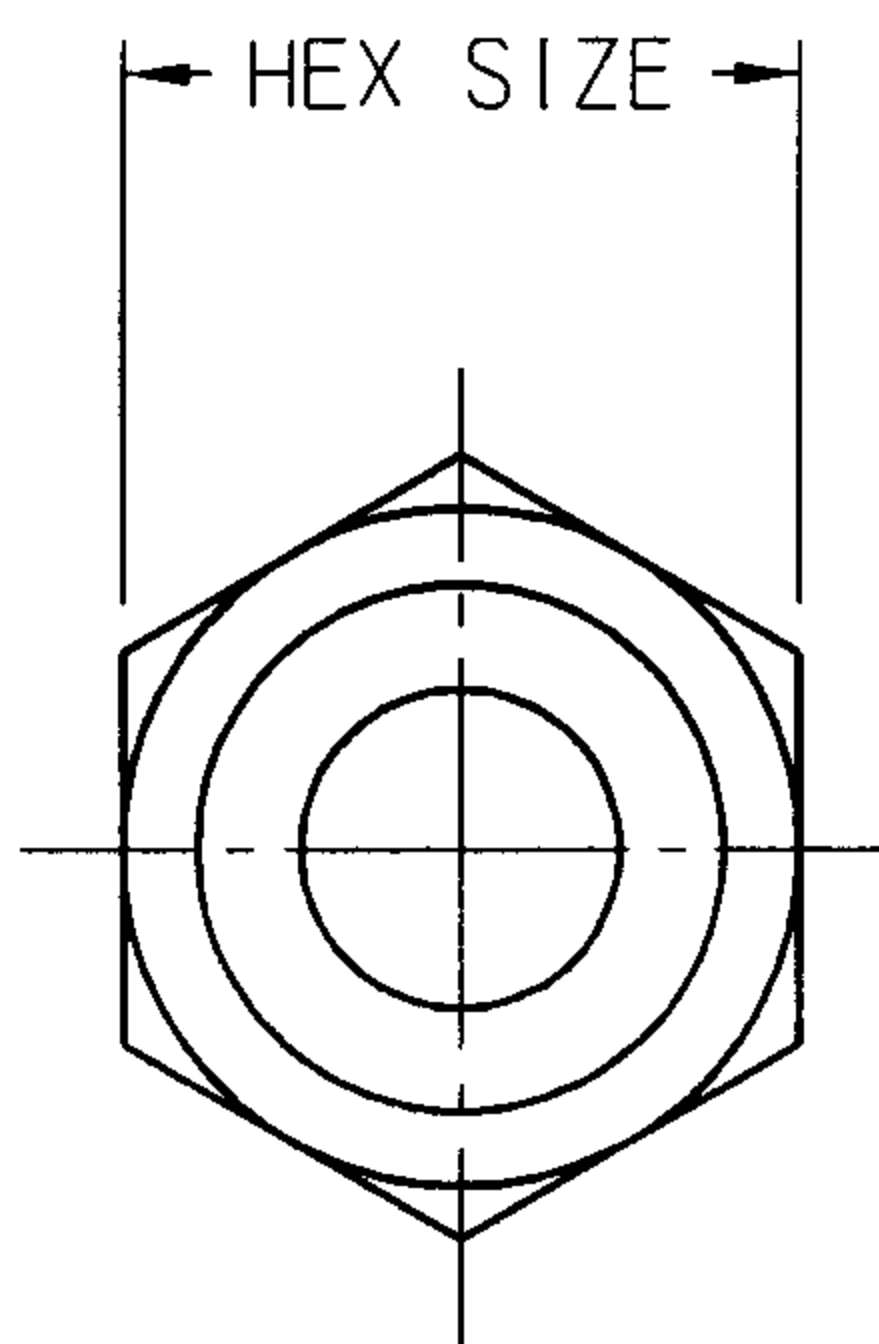


FMB-250
1500

CUSTOMER DWG.

8-11-08



THREAD SIZE - NPT

1 1/2	FMB-1500	2 1/16	9/16	1 1/16	1 33/64	1 7/8	1 1/2 - 11 1/2 NPT	1 7/8
1 1/4	FMB-1250	2 1/16	9/16	1 1/16	1 17/64	1 7/8	1 1/4 - 11 1/2 NPT	1 7/8
1	FMB-1000	1 13/16	3/8	1	15/16	1 5/16	1 - 11 1/2 NPT	1 5/16
3/4	FMB-750	1 9/16	5/16	13/16	11/16	1 1/16	3/4 - 14 NPT	1 1/16
1/2	FMB-500	1 9/16	5/16	13/16	33/64	7/8	1/2 - 14 NPT	7/8
3/8	FMB-375	1 5/16	1/4	5/8	25/64	11/16	3/8 - 18 NPT	11/16
1/4	FMB-250	1 5/16	1/4	5/8	17/64	9/16	1/4 - 18 NPT	9/16
SIZE	PART NO.	A	B	C	D DIA	E DIA	THREAD SIZE - NPT	HEX SIZE

AGREEMENT TO MAINTAIN CONFIDENTIALITY

This drawing is owned by Dixon Valve & Coupling Co. and shall be returned upon demand. It is loaned on condition that it shall not be copied or reproduced or submitted to others without the owners consent. In accepting it subject to this condition the recipient further agrees that this drawing or any design detail or concept disclosed herein shall not be used in any way detrimental to or in competition with the owner. If the recipient does not agree to the terms of this agreement they shall return this drawing immediately.



The Right Connection™

DIXON VALVE & COUPLING CO.
U. S. A.

TITLE
THREADED WELDING NIPPLES
FOR METAL HOSE

SCALE:
NOT TO SCALE

DRWN: MHM
10-20-03
APPROVAL:
JTB
10/23/03

MAT'L BRASS HEX
BARSTOCK

FMB-250
1500

CUSTOMER DWG.