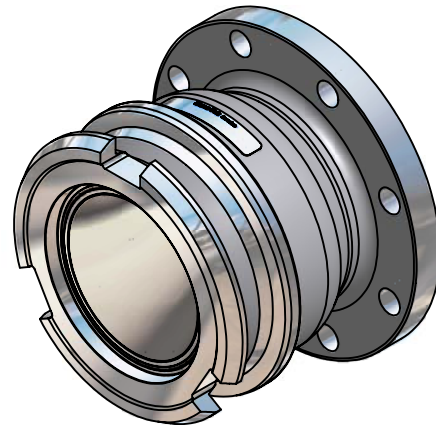
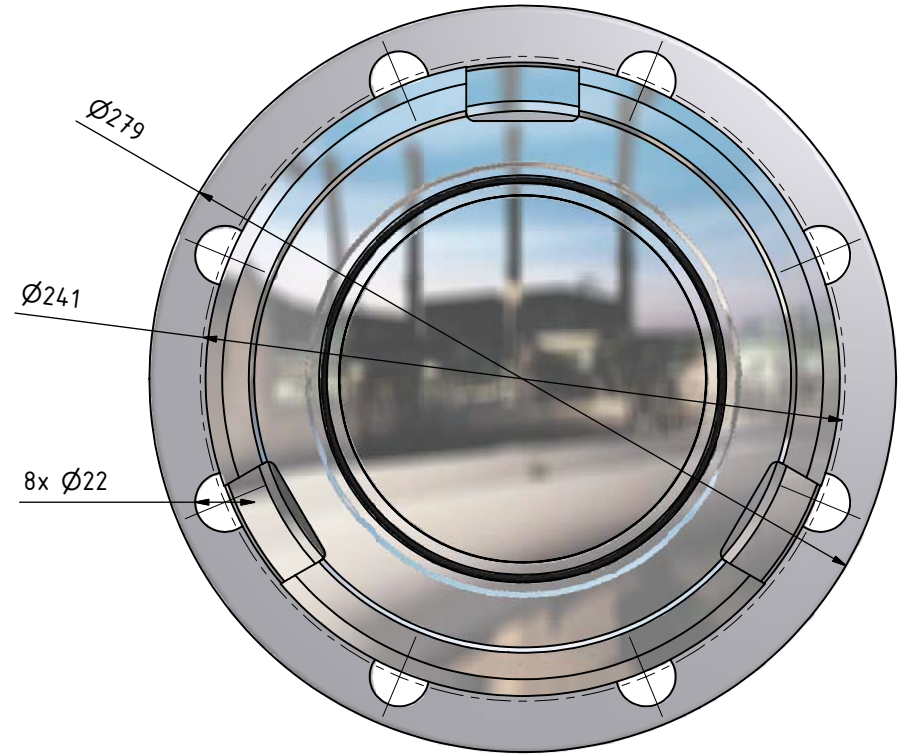
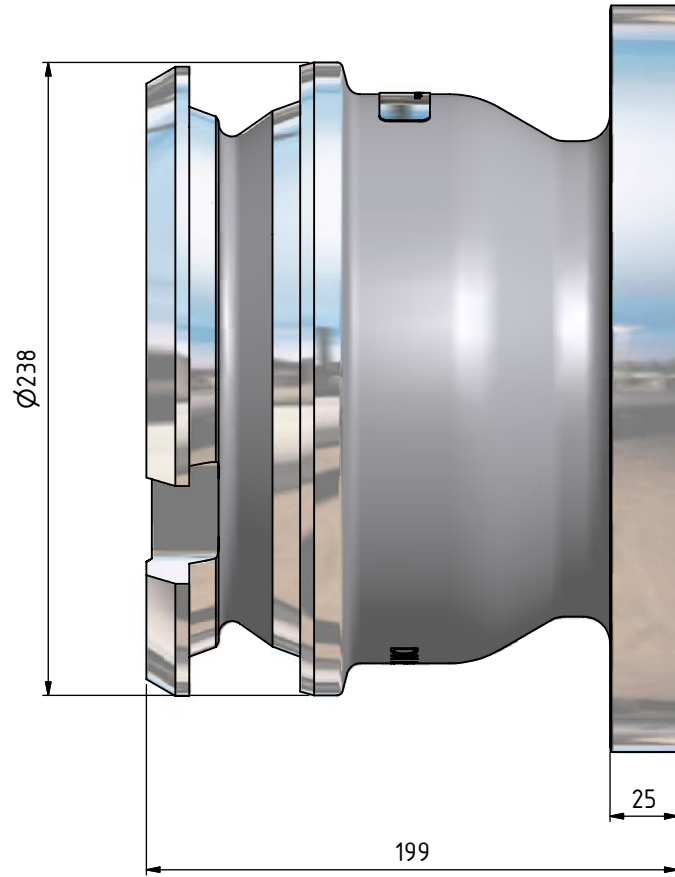



Notice: This drawing contains proprietary information and shall not be used or reproduced or its contents disclosed in whole or in part, without the prior written consent of the Mann-Technik AB



Dimensions are in metric.

Weight: 9,69 kg

Detail No:		Material		Ytbeh./Treatment	
		Designed/drawn by	Scale:	Dimension with no tolerances acc to Machined SS-ISO 2768-1 medium Weld Forge SS-ISO 2768-1 coarse Surface roughness ISO 1302 Form & position tol SS ISO 1101	
		Checked	1:2		
		Date	2007-11-27		
Approved		T. Mann		Data nr./Comp No. T6100B1101	
Tank Unit 6" - DN150 Flange 6" ANSI B16.5 150 PSI				Blad/Sheet 1 / 1	
				Drawing No. T6100B1101-1	
				Rev.	

NO.	Revision comprises	Date	Sign.	Appr by
-----	--------------------	------	-------	---------