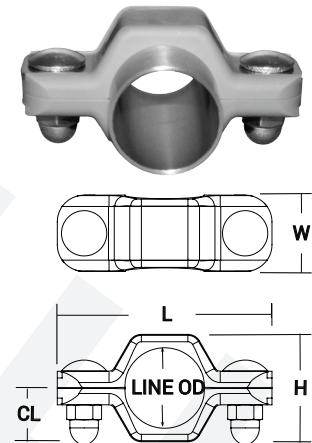


Pipe Size Uni-Hinge Block Hangers

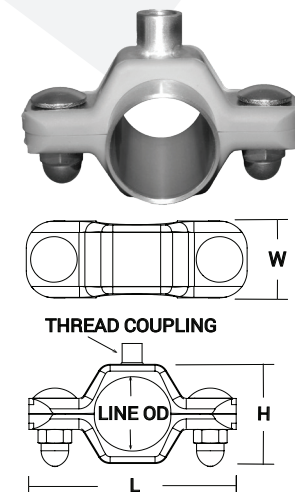
Process Hex Hanger Weld Mounts - B24V-PH

Pipe Size	Line O.D. (in)	H (in)	L (in)	W (in)	CL (in)	304 Stainless Steel With Acorn Nut Part #	304 Stainless Steel With Lock Nut Part #
1"	1.32	1.96	4.00	1.42	0.98	B24V-PH-G100	B24V-PHL-G100
1-1/2"	1.90	2.50	4.60	1.42	1.25	B24V-PH-G150	B24V-PHL-G150
2"	2.38	3.00	5.10	1.42	1.50	B24V-PH-G200	B24V-PHL-G200
2-1/2"	2.88	3.50	5.60	1.42	1.75	B24V-PH-G250	B24V-PHL-G250
3"	3.50	4.13	6.33	1.42	2.06	B24V-PH-G300	B24V-PHL-G300
4"	4.50	5.12	7.52	1.42	2.65	B24V-PH-G400	B24V-PHL-G400



Process Hex Hanger Weld Mount Threaded Couplings - B24V-PHC

Pipe Size	Line O.D. (in)	H (in)	L (in)	W (in)	Height (in)	Thread (in)	304 Stainless Steel With Acorn Nut Part #	304 Stainless Steel With Lock Nut Part #
1"	1.32	1.96	4.00	1.42	0.47	3/8"-16	B24V-PHC-G100	B24V-PHCL-G100
1-1/2"	1.90	2.50	4.60	1.42	0.47	3/8"-16	B24V-PHC-G150	B24V-PHCL-G150
2"	2.38	3.00	5.10	1.42	0.59	1/2"-13	B24V-PHC-G200	B24V-PHCL-G200
2-1/2"	2.88	3.50	5.60	1.42	0.59	1/2"-13	B24V-PHC-G250	B24V-PHCL-G250
3"	3.50	4.13	6.33	1.42	0.59	1/2"-13	B24V-PHC-G300	B24V-PHCL-G300
4"	4.50	5.12	7.52	1.42	0.59	1/2"-13	B24V-PHC-G400	B24V-PHCL-G400



Process Hex Hanger Weld Mounts Rod Attached - B24V-PH6R

Pipe Size	Line O.D. (in)	H (in)	L (in)	W (in)	Length (in)	O.D. (in)	304 Stainless Steel With Acorn Nut Part #	304 Stainless Steel With Lock Nut Part #
1"	1.32	1.96	4.00	1.42	6.00	0.38	B24V-PH6R-G100	B24V-PH6RL-G100
1-1/2"	1.90	2.50	4.60	1.42	6.00	0.38	B24V-PH6R-G150	B24V-PH6RL-G150
2"	2.38	3.00	5.10	1.42	6.00	0.50	B24V-PH6R-G200	B24V-PH6RL-G200
2-1/2"	2.88	3.50	5.60	1.42	6.00	0.50	B24V-PH6R-G250	B24V-PH6RL-G250
3"	3.50	4.13	6.33	1.42	6.00	0.50	B24V-PH6R-G300	B24V-PH6RL-G300
4"	4.50	5.12	7.52	1.42	6.00	0.63	B24V-PH6R-G400	B24V-PH6RL-G400

