

# Electrically Actuated 2-Piece Stainless Ball Valves



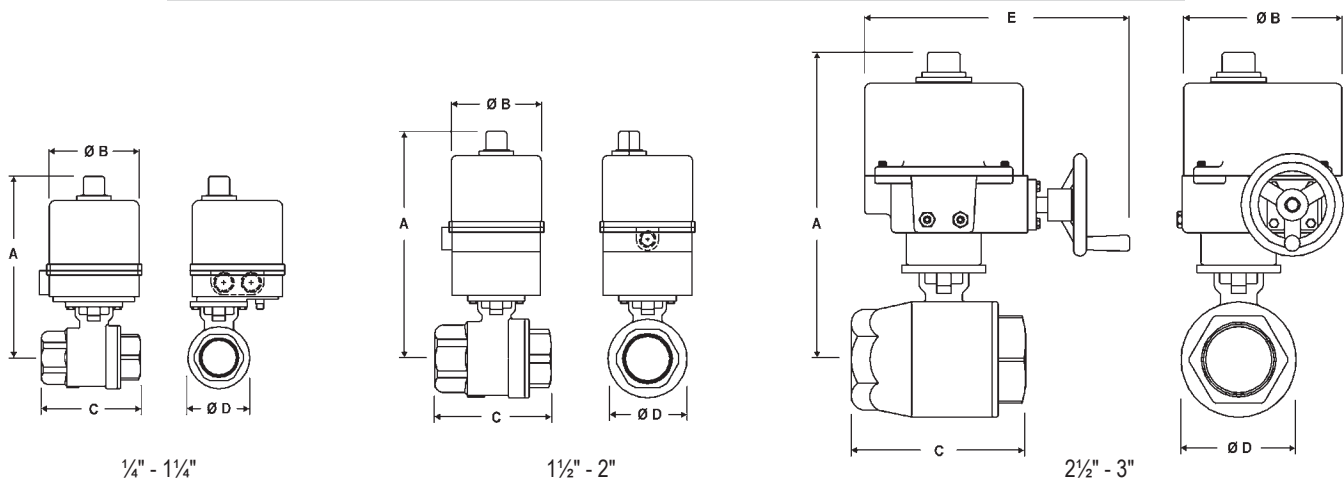
**Features:**

**2-Piece Stainless Ball Valve**

- RTFE seats and seals
- blow-out proof stem
- live-loaded stem packing
- ISO 5211 mounting pad
- pressure rating: ¼" - 2" **1000 PSI WOG**, 2½" - 3" **800 PSI WOG**
- temperature range: **-40°F to 450°F**

**Electric Actuator**

- lightweight powder coated aluminum alloy housing
- NEMA 4/4X waterproof and dustproof
- extended duty cycle induction motor
- high alloy steel gear train
- H-insulation class
- visual position indication
- space heater is standard
- manual override standard: ½" - 1½"
- temperature range: **-41°F to 140°F**
- ISO 9001, CS, CE and CSA-C US Certified
- RoHS compliant



¼" - 1¼"

1½" - 2"

2½" - 3"

*Dimensions are approximate.*

*Engineering dimensions are available upon request. Specifications are subject to change without notice.*

Size	Dimensions					Override	316 Stainless Steel Part #	Voltage				
	A	B	C	D	E			110VAC -EA	24VDC -EG	12VDC -ET	220VAC -EK	24VAC -ES
¼"	7.79	4.50	2.56	1.40	NA	standard	<b>BV2HG-02511</b>	<b>\$879.70</b>	<b>\$879.70</b>	<b>\$879.70</b>	<b>\$879.70</b>	<b>\$879.70</b>
⅜"	7.79	4.50	2.56	1.40	NA	standard	<b>BV2HG-03811</b>	<b>897.70</b>	<b>897.70</b>	<b>897.70</b>	<b>897.70</b>	<b>897.70</b>
½"	7.74	4.50	2.95	1.40	NA	standard	<b>BV2HG-05011</b>	<b>903.60</b>	<b>903.60</b>	<b>903.60</b>	<b>903.60</b>	<b>903.60</b>
¾"	7.84	4.50	3.15	1.75	NA	standard	<b>BV2HG-07511</b>	<b>904.15</b>	<b>904.15</b>	<b>904.15</b>	<b>904.15</b>	<b>904.15</b>
1"	8.09	4.50	3.54	1.75	NA	standard	<b>BV2HG-10011</b>	<b>954.20</b>	<b>954.20</b>	<b>954.20</b>	<b>954.20</b>	<b>954.20</b>
1¼"	8.29	4.50	4.33	2.58	NA	standard	<b>BV2HG-12511</b>	<b>998.85</b>	<b>998.85</b>	<b>998.85</b>	<b>998.85</b>	<b>998.85</b>
1½"	8.69	4.50	4.72	2.97	NA	N/A	<b>BV2HG-15011</b>	<b>1083.35</b>	<b>1083.35</b>	<b>1083.35</b>	<b>1083.35</b>	<b>1083.35</b>
2"	11.13	4.50	5.51	2.73	NA	N/A	<b>BV2HG-20011</b>	<b>1548.35</b>	<b>1548.35</b>	<b>1548.35</b>	<b>1548.35</b>	<b>1548.35</b>
2½"	13.72	7.08	7.28	4.68	12.83	handwheel	<b>BV2HG-25011-EP<sup>1</sup></b>	<b>2675.35</b>	---	---	---	---
2½"	10.69	6.06	7.28	4.68	NA	N/A	<b>BV2HG-25011</b>	<b>2675.35</b>	<b>2675.35</b>	<b>2675.35</b>	<b>2675.35</b>	<b>2675.35</b>
3"	13.72	7.08	8.07	5.44	12.83	handwheel	<b>BV2HG-30011</b>	<b>4384.25</b>	<b>4384.25</b>	<b>4384.25</b>	<b>4384.25</b>	<b>4384.25</b>

<sup>1</sup> for 110VAC 2½" with manual override use -EP

A wide variety of options are available: modulating, extra switches, transmitters, potentiometer, etc.  
 Contact Dixon™ at 800.789.1718 or visit [dixonvalve.com](http://dixonvalve.com) for details.



**Caution !**



Even though there are torque safety factors built into our automated ball valve packages, actual service conditions must also be considered when selecting the proper product for the appropriate application.  
*For example:* Severe service conditions such as dirty water, dirty air, all slurries, raw sewage water, oils, and other viscous fluids can have a dramatic affect in raising the torque requirements of ball valves as much as 75% and therefore larger actuators may be required.  
 Please consult Dixon™ when dealing with these types of applications.