

Electrically Actuated 3-Way Brass Ball Valves - 'T / L' Port

Features:

3-Way Brass Ball Valve

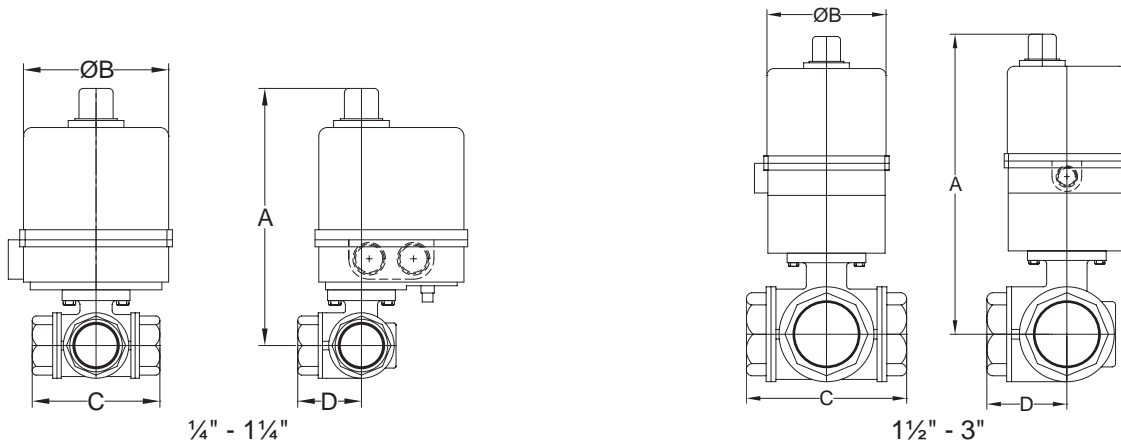
- reduced port
- blow-out proof stem
- brass body and chrome-plated brass ball
- PTFE seats with O-ring backing for low operating torque
- PTFE seats and double O-ring stem packing
- ISO 5211 mounting pad
- 100% tested
- pressure rating: **400 PSI WOG, 100 PSI WSP**
- maximum temperature: **300°F**

Electric Actuator

- lightweight powder coated aluminum alloy housing
- NEMA 4/4X waterproof and dustproof
- extended duty cycle induction motor
- high alloy steel gear train
- H-insulation class
- visual position indication
- space heater is standard
- manual override standard: 1/2" - 1 1/2" sizes
- temperature range: **-41°F to 140°F**
- ISO 9001, CS, CE and CSA-C US Certified
- RoHS compliant



- see page 706 for flow path options
- A flow path needs to be selected at time of order. If no flow path is selected, the option number labeled as default will be shipped.
- Customer verification is critical. If flow path needs to be changed after being shipped, labor and shipping charges will apply.
- for spring return actuators must note fail position



Dimensions are approximate. Engineering dimensions are available upon request.
Specifications are subject to change without notice.

* T = t-style
* L = l-style

Size	Dimensions				Override	Brass Part #	Voltage				
	A	B	C	D			110VAC -EA	24VDC -EG	12VDC -ET	220VAC -EK	24VAC -ES
1/4"	8.76	6.06	2.64	1.32	standard	BV3BV*R-0251	\$955.60	\$955.60	\$955.60	\$955.60	\$955.60
3/8"	8.76	6.06	2.64	1.32	standard	BV3BV*R-0381	955.60	955.60	955.60	955.60	955.60
1/2"	8.76	6.06	2.87	1.44	standard	BV3BV*R-0501	955.60	955.60	955.60	955.60	955.60
3/4"	8.85	6.06	3.19	1.60	standard	BV3BV*R-0751	979.15	979.15	979.15	979.15	979.15
1"	9.19	6.06	3.74	1.87	standard	BV3BV*R-1001	1012.70	1012.70	1012.70	1012.70	1012.70
1 1/4"	9.41	6.06	4.39	2.20	standard	BV3BV*R-1251	1117.25	1117.25	1117.25	1117.25	1117.25
1 1/2"	9.90	6.06	4.86	2.43	N/A	BV3BV*R-1501	1381.05	1381.05	1381.05	1381.05	1381.05
2"	10.89	4.25	5.73	2.87	N/A	BV3BV*R-2001	1988.95	1988.95	1988.95	1988.95	1988.95
2 1/2"	11.34	4.25	6.93	3.47	N/A	BV3BV*R-2501	2911.35	2911.35	2911.35	2911.35	2911.35
3"	11.34	4.25	7.08	3.54	N/A	BV3BV*R-3001	2780.25	2780.25	2780.25	2780.25	2780.25

A wide variety of options are available: modulating, extra switches, transmitters, potentiometer, etc.
Contact Dixon™ at 800.789.1718 or visit dixonvalve.com for details.

Caution !

Even though there are torque safety factors built into our automated ball valve packages, actual service conditions must also be considered when selecting the proper product for the appropriate application.

For example: Severe service conditions such as dirty water, dirty air, all slurries, raw sewage water, oils, and other viscous fluids can have a dramatic affect in raising the torque requirements of ball valves as much as 75% and therefore larger actuators may be required. Please consult Dixon™ when dealing with these types of applications.