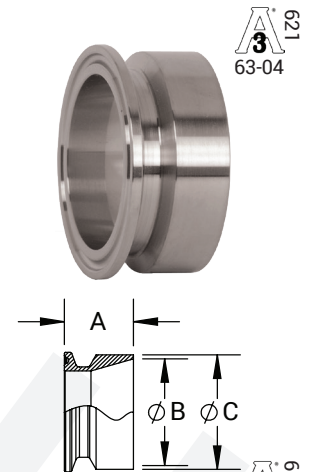


Pipe Size Adapters

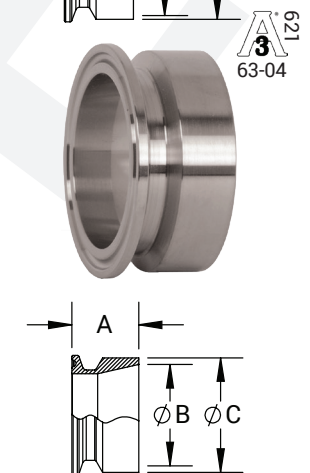
Tube O.D. Clamp x Schedule 5S Weld Adapters - B19MPV

Pipe Size	A (in)	B (in)	C (in)	Pipe Wall Thickness (in)	316L Stainless Steel Part #
1"	1.13	1.19	1.32	.065	B19MPV-R100
1-1/2"	1.13	1.77	1.90	.065	B19MPV-R150
2"	1.13	2.25	2.38	.065	B19MPV-R200
2-1/2"	1.13	2.71	2.88	.083	B19MPV-R250
3"	1.13	3.33	3.50	.083	B19MPV-R300
4"	1.13	4.33	4.50	.083	B19MPV-R400



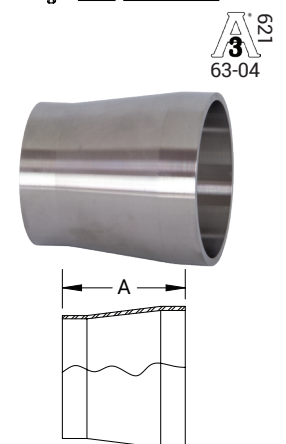
Tube O.D. Clamp x Schedule 10S Weld Adapters - B19MPX

Pipe Size	A (in)	B (in)	C (in)	Pipe Wall Thickness (in)	316L Stainless Steel Part #
1"	1.13	1.10	1.32	.109	B19MPX-R100
1-1/2"	1.13	1.68	1.90	.109	B19MPX-R150
2"	1.13	2.16	2.38	.109	B19MPX-R200
2-1/2"	1.13	2.64	2.88	.120	B19MPX-R250
3"	1.13	3.26	3.50	.120	B19MPX-R300
4"	1.13	4.26	4.50	.120	B19MPX-R400



Tube O.D. Weld x Schedule 5S Weld Adapters - B19WV

Pipe Size	A (in)	Tube Wall Thickness (in)	Pipe Wall Thickness (in)	316L Stainless Steel Part #
1"	2.00	.065	.065	B19WV-R100
1-1/2"	2.50	.065	.065	B19WV-R150
2"	2.50	.065	.065	B19WV-R200
2-1/2"	2.50	.065	.083	B19WV-R250
3"	2.50	.065	.083	B19WV-R300
4"	3.00	.083	.083	B19WV-R400



Tube O.D. Weld x Schedule 10S Weld Adapters - B19WX

Pipe Size	A (in)	Tube Wall Thickness (in)	Pipe Wall Thickness (in)	316L Stainless Steel Part #
1"	2.00	.065	.109	B19WX-R100
1-1/2"	2.50	.065	.109	B19WX-R150
2"	2.50	.065	.109	B19WX-R200
2-1/2"	2.50	.065	.120	B19WX-R250
3"	2.50	.065	.120	B19WX-R300
4"	3.00	.083	.120	B19WX-R400

