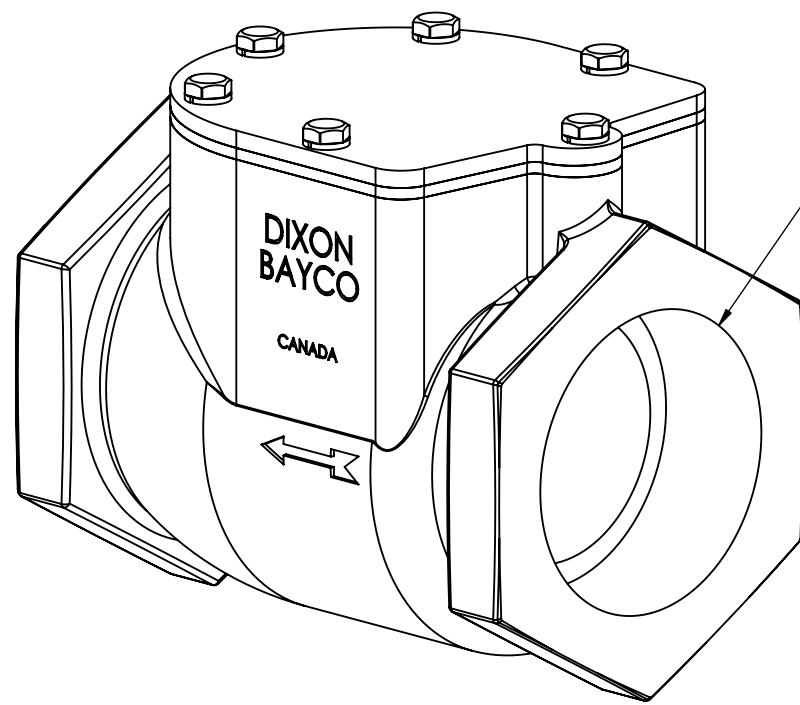
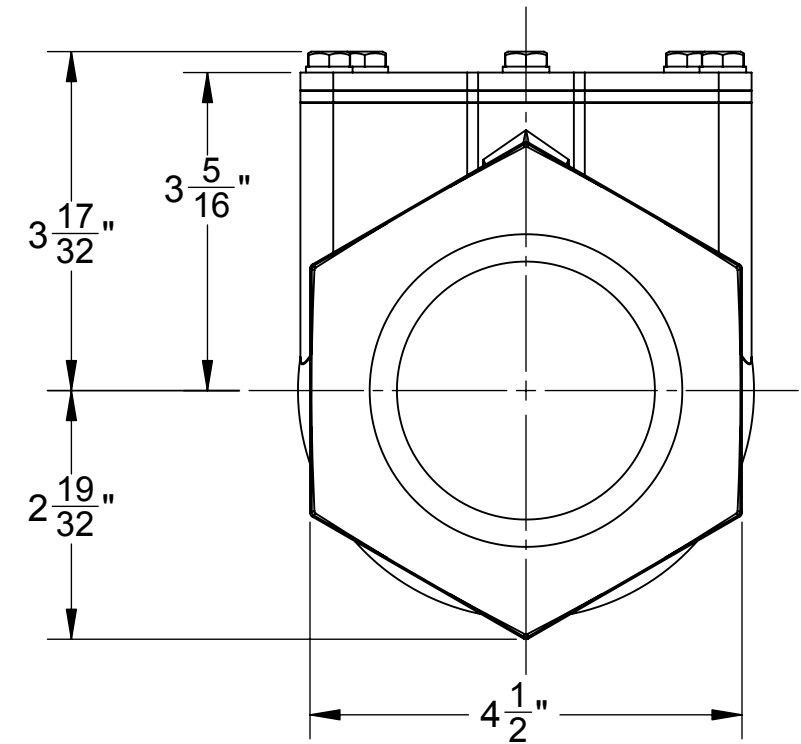
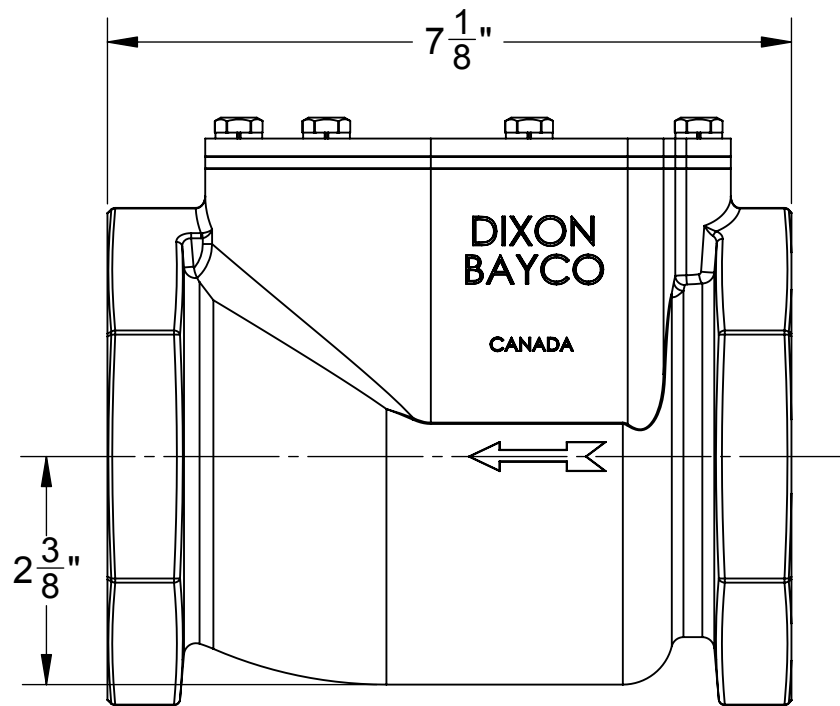
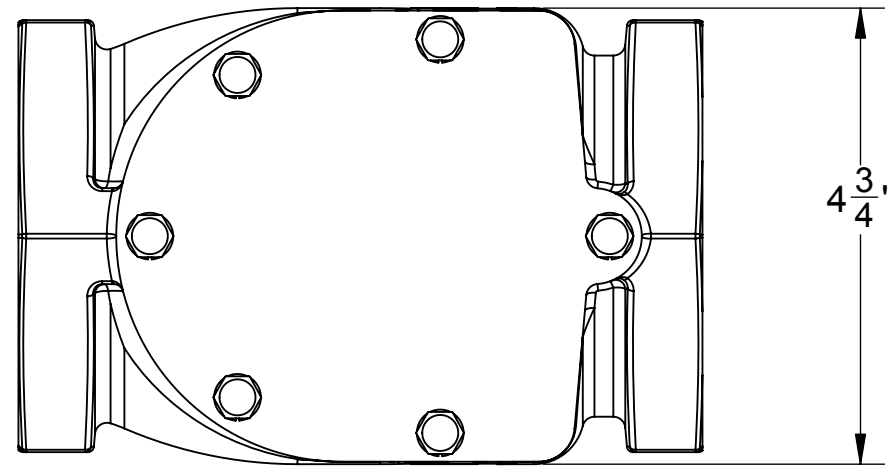


THE INFORMATION CONTAINED IN THIS DRAWING IS THE SOLE PROPERTY OF DIXON BAYCO LIMITED. ANY REPRODUCTION IN PART OR WHOLE WITHOUT THE WRITTEN PERMISSION OF DIXON BAYCO LIMITED IS PROHIBITED.



3"-8 NPT BOTH ENDS



**DIXON BAYCO LIMITED**  
 2200 LOGAN AVE. WINNIPEG, MB. R2R 0J2  
 PHONE (204) 633-5650 FAX (204) 633-6119

CAD GENERATED DRAWING; DO NOT MANUALLY UPDATE.  
 DO NOT SCALE DRAWING

TITLE  
**3" SWING CHECK VALVE THREADED,  
 3030TE, 3030TE-SSP, 3031TE**

APPROVALS	DATE
DRAWN BY <i>FAHL</i>	13DEC2006

SIZE <b>B</b>	DWG. NO. <b>3030TE 3030TE-SSP 3031TE-CST</b>	REV. <b>0</b>
------------------	---	------------------

CHECKED	
---------	--

ECO SHEET 1 OF 1