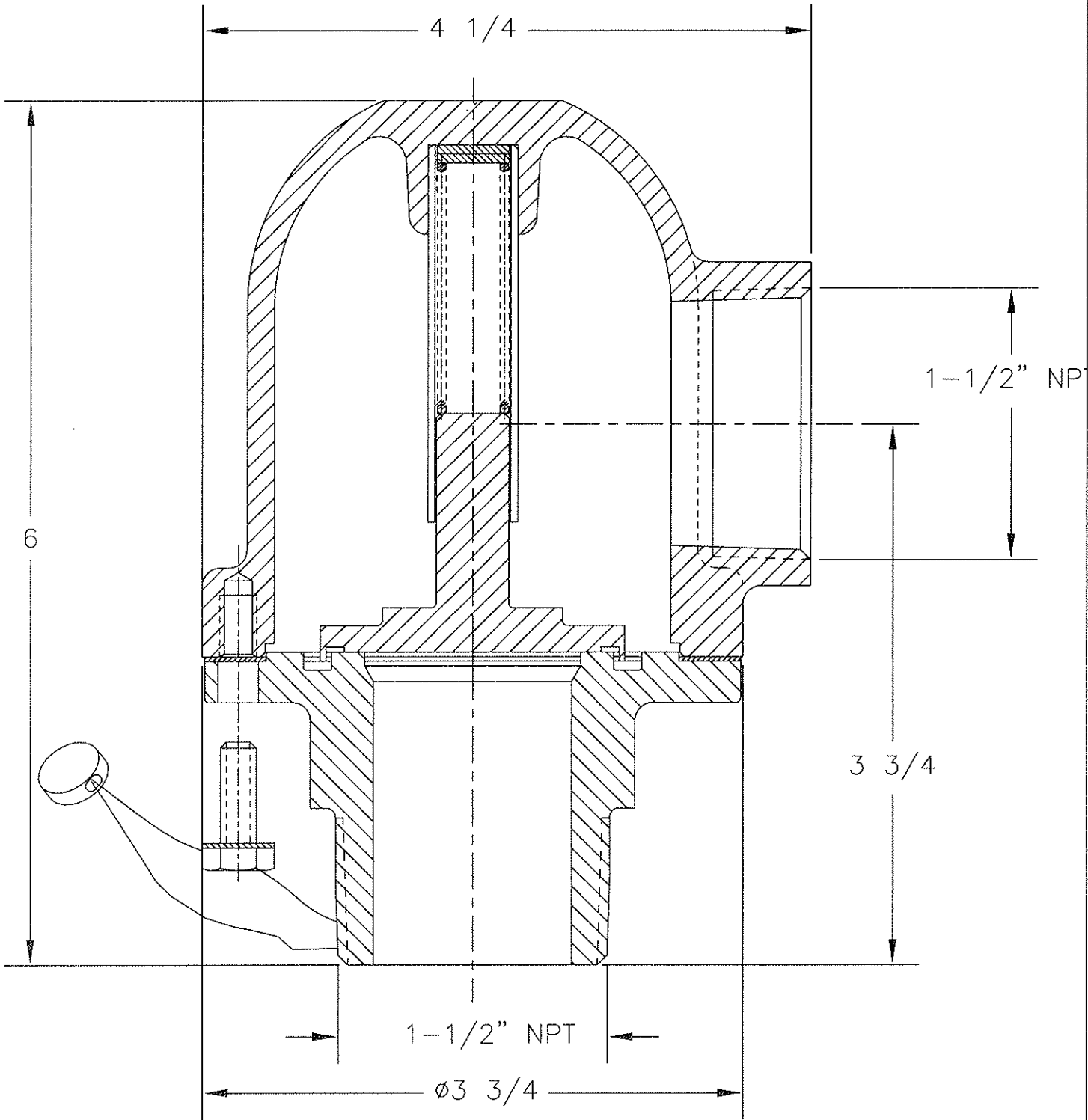


REVISIONS TABLE

REV.	ECO	DESCRIPTION	DATE	APPROVED
X	X	X	X	X



UNLESS OTHERWISE SPECIFIED DIMENSIONS ARE IN INCHES.	DIXON BAYCO LIMITED 2200 LOGAN AVE. WINNIPEG, MB. R2R 0J2 PHONE (204) 633-5650 FAX (204) 633-6119		DWG. NO. 450108-C	
	APPROVALS DONE BY W.M./S.S. DATE Feb 24/05 CHECKED C.M. DATE Feb 24/05		TITLE 1-1/2" VACUUM VALVE 1120	
FINISH	DO NOT SCALE DRAWING		SIZE A	REV. 0
			ECO #	SHEET 1 OF 1