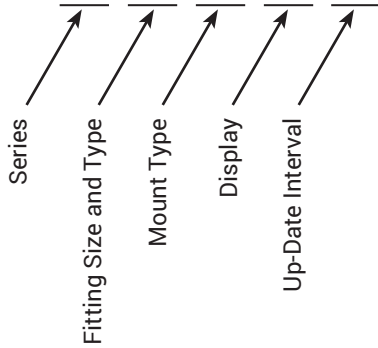




## Sanitary Digital Thermometers

### Model Number Breakdown DT-2U-BT-DF-10



#### Sizes

- Dial size: 3-1/2" diameter
- LCD display: 0.6"

#### Features

- Accuracy:  $\pm 1^\circ$
- Surface finish: Ra maximum is 8 microinches
- Battery size / life: standard AAA/3 years
- Shipping weight: approximately 3 lbs.

#### Materials

- Product contact: 316L stainless steel
- Case: 304 stainless steel
- Lens: 1/4" polycarbonate

#### Specifications

- Temperature limits:  $-58^\circ\text{F}$  to  $302^\circ\text{F}$  ( $-50^\circ\text{C}$  to  $150^\circ\text{C}$ )
- Ambient operating limits:  $-4^\circ\text{F}$  to  $140^\circ\text{F}$  ( $-20^\circ\text{C}$  to  $60^\circ\text{C}$ )
- Resolution:  $0.1^\circ$  ( $-58^\circ$  thru  $199.9^\circ$ )

### Ordering Information

#### Series

DT ..... Sanitary digital thermometer

#### Fitting Type<sup>1</sup>

Sizes available: 75, 15, 2, 25, 3, and 4

- I ..... male I-Line
- T ..... #13H captive nut and #14 bevel seat
- U ..... clamp

<sup>1</sup> Specify size then type, i.e. 1-1/2" = 15U

#### Mount type

- BT ..... bottom
- RT ..... right side
- LF ..... left side
- TP ..... top
- BK ..... back
- BTR ..... remote fitting

#### Display

- DF ..... F (Fahrenheit) *standard*
- DC ..... C (Celsius)

#### Up-Date Interval

- 1 ..... one second (1 year battery life)
- 10 ..... ten second (3 year battery life)



M

### Dimensions

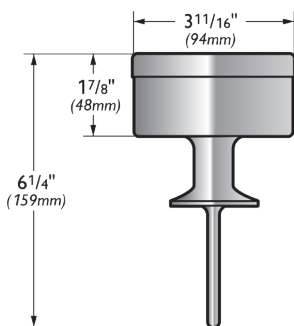
#### LEFT SIDE MOUNT



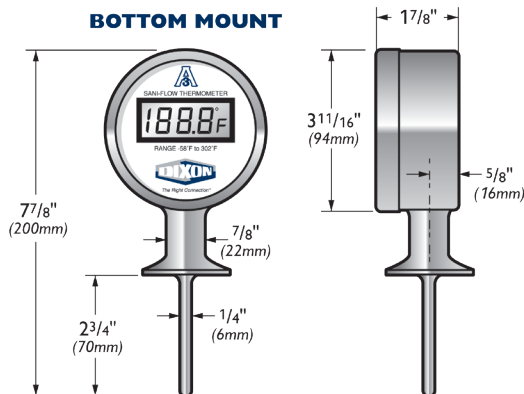
#### RIGHT SIDE MOUNT



#### BACK MOUNT



#### BOTTOM MOUNT



Product not returnable and no cancellations.

Ordering code shown with clamp configuration "U". See ordering information for other types available.

| Size   | Probe Length <sup>1</sup> | Code |
|--------|---------------------------|------|
| 3/4"   | 2-3/8"                    | 75U  |
| 1"     | 2-5/5"                    | 1U   |
| 1-1/2" | 2-3/4"                    | 15U  |
| 2"     | 3-1/2"                    | 2U   |
| 2-1/2" | 3-1/2"                    | 25U  |
| 3"     | 3-3/4"                    | 3U   |
| 4"     | 4-1/2"                    | 4U   |

<sup>1</sup> Custom probe lengths are available