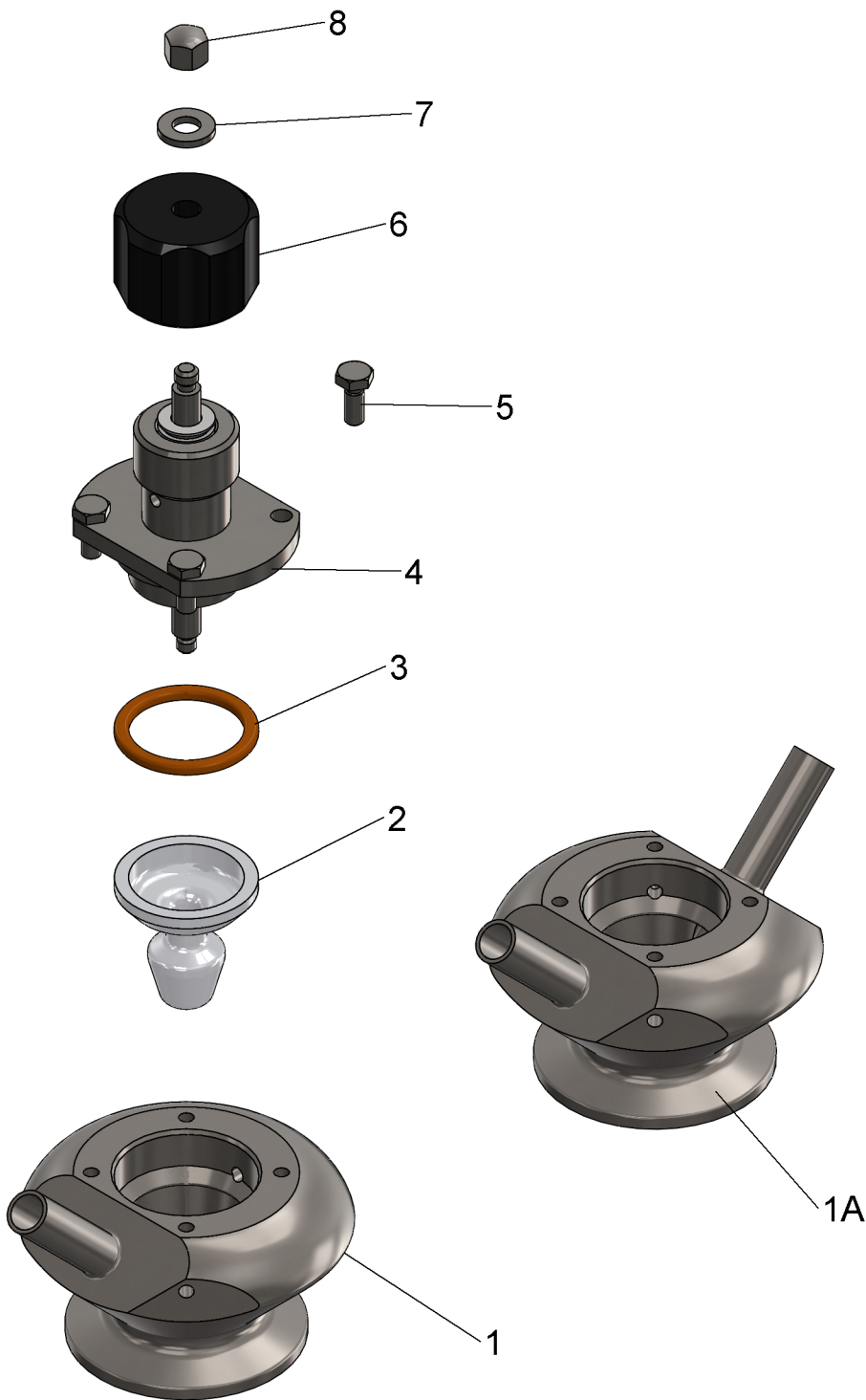




The Right Connection®



Number	Part	Quantity	Material
1	single port body	1	316L
1A	dual port body	1	316L
2	bellows	1	PTFE
3	O-ring	1	silicone
4	housing	1	304
5	body bolts	4	304
6	hand wheel	1	polyoxymethylene
7	washer	1	304
8	nut	1	304

## Dixon Sanitary

800.789.1718  
dixonvalve.com